

CCS Technical Documentation

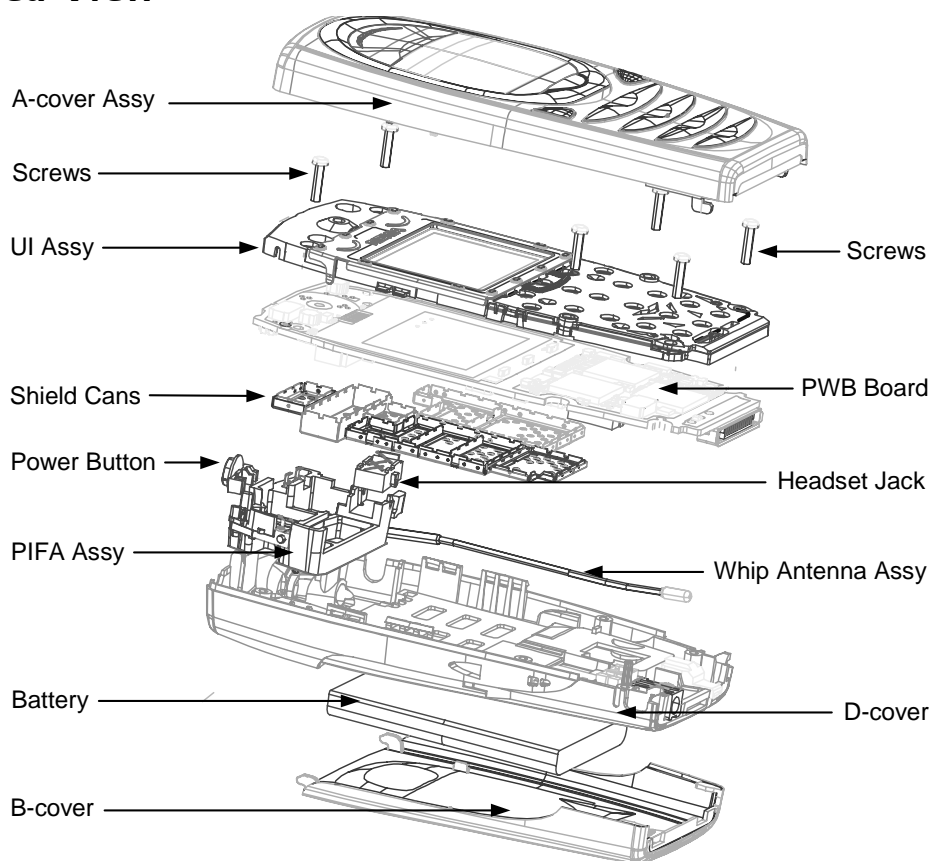
RH-17 Series Transceivers

Parts Lists

Contents

	Page No
Exploded View.....	5
Assembly Parts List	5
Parts Lists.....	6
RH-17 (2280) — EDMS Issue 7.7 Code: 0202073	6

Exploded View



Assembly Parts List

Qty	Description	Product Code: RH-17 - RH-17NA - RH-17R
1	A-cover (blue)	9497267
6	Screws	6290159
1	UI assembly:	9481010
1	PWB module:	0202073
1	Shield cans	9517260 9517261 9517262
1	Headset jack	5400293
1	Power button:	9452765
1	PIFA assembly:	0660290
1	Whip antenna assembly	0660288
1	D-cover	9497266
1	Battery	0670398
1	B-cover (blue)	9497265

Parts Lists

RH-17 (2280) – EDMS Issue 7.7 Code: 0202073

Item	Code	Side	X	Y	Description	Value	Type
R100	1620027	Top	T	5	res network OW06	2X47R J	0404
R101	1620027	Top	T	5	res network OW06	2X47R J	0404
R102	1620027	Top	T	6	res network OW06	2X47R J	0404
R104	1430812	Top	T	5	chip res OW06	220K J	0402
R105	1825031	Top	T	4	varistor array 2XVWM16V	VC50	0405
R107	1430804	Bottom	Q	8	chip res OW06	100K J	0402
R109	1430690				chip res jumper	OR0	0402
R110	1430804	Top	T	6	chip res OW06	100K J	0402
R112	1825031	Top	T	5	varistor array 2XVWM16V	VC50	0405
R150	1620031	Bottom	Q	4	res network OW06	2X1K0 J	0404
R152	1430796	Bottom	R	4	chip res OW06	47K J	0402
R159	1430762	Bottom	S	3	chip res OW06	2K2 J	0402
R160	1620117	Bottom	S	3	res network OW06	2X5R6 J	0404
R161	1620031	Bottom	R	3	res network OW06	2X1K0 J	0404
R162	1620031	Bottom	S	4	res network OW06	2X1K0 J	0404
R163	1620031	Bottom	S	4	res network OW06	2X1K0 J	0404
R164	1620031	Bottom	Q	3	res network OW06	2X1K0 J	0404
R165	1620031	Bottom	S	4	res network OW06	2X1K0 J	0404
R166	1430796	Bottom	R	3	chip res OW06	47K J	0402
R168	1620031	Bottom	Q	4	res network OW06	2X1K0 J	0404
R169	1430700	Bottom	R	3	chip res OW06	10R J	0402
R170	1825031	Top	C	3	varistor array 2XVWM16V	VC50	0405
R171	1620031	Bottom	S	4	res network OW06	2X1K0 J	0404
R172	1430796	Bottom	R	4	chip res OW06	47K J	0402
R179	1430804	Top	D	2	chip res OW06	100K J	0402
R180	1620117	Bottom	Q	2	res network OW06	2X5R6 J	0404
R195	1430796	Top	D	2	chip res OW06	47K J	0402
R200	1419003	Bottom	N	3	chip res OW5 OR22 J	200PPM	1210

Item	Code	Side	X	Y	Description	Value	Type
R202	1430804	Bottom	Q	6	chip res 0W06	100K J	0402
R203	1430770	Top	G	3	chip res 0W06	4K7 J	0402
R204	1430770	Bottom	Q	5	chip res 0W06	4K7 J	0402
R206	1430804	Top	G	3	chip res 0W06	100K J	0402
R207	1430804	Bottom	Q	5	chip res 0W06	100K J	0402
R300	1430728	Bottom	N	6	chip res 0W06	120R J	0402
R301	1430770	Top	B	7	chip res 0W06	4K7 J	0402
R302	1430754	Bottom	N	7	chip res 0W06	1K0 J	0402
R304	1430728	Bottom	M	8	chip res 0W06	120R J	0402
R305	1430728	Bottom	M	7	chip res 0W06	120R J	0402
R306	1430728	Bottom	P	9	chip res 0W06	120R J	0402
R307	1430728	Bottom	Q	9	chip res 0W06	120R J	0402
R315	1430804	Bottom	S	4	chip res 0W06	100K J	0402
R427	1430754	Bottom	Q	8	chip res 0W06	1K0 J	0402
R428	1430770	Bottom	Q	8	chip res 0W06	4K7 J	0402
R430	1430754	Bottom	Q	7	chip res 0W06	1K0 J	0402
R431	1430770	Bottom	Q	7	chip res 0W06	4K7 J	0402
R433	1430754	Bottom	Q	6	chip res 0W06	1K0 J	0402
R434	1430770	Bottom	Q	6	chip res 0W06	4K7 J	0402
R435	1430770	Bottom	S	5	chip res 0W06	4K7 J	0402
R450	1430770	Bottom	P	6	chip res 0W06	4K7 J	0402
R501	1430700	Top	L	9	chip res 0W06	10R J	0402
R502	1430690	Top	J	6	chip res jumper 0R0		0402
R503	1430778	Top	K	9	chip res 0W06	10K J	0402
R505	1430706	Top	I	7	chip res 0W06	15R J	0402
R506	1430700	Top	J	7	chip res 0W06	10R J	0402
R508	1430766	Top	L	9	chip res 0W06	3K9 J	0402
R509	1430726	Top	J	7	chip res 0W06	100R J	0402
R510	1430804	Top	L	7	chip res 0W06	100K J	0402
R511	1430794	Top	L	7	chip res 0W06	39K J	0402
R512	1430700	Top	L	7	chip res 0W06	10R J	0402
R513	1430700	Top	L	9	chip res 0W06	10R J	0402

Item	Code	Side	X	Y	Description	Value	Type
R515	1430700	Top	J	9	chip res 0W06	10R J	0402
R517	1430772	Top	L	6	chip res 0W06	5K6 J	0402
R518	1430740	Top	L	6	chip res 0W06	330R J	0402
R519	1430726	Top	J	7	chip res 0W06	100R J	0402
R520	1430754	Top	K	6	chip res 0W06	1K0 J	0402
R521	1430764	Top	K	6	chip res 0W06	3K3 J	0402
R522	1430728	Top	K	6	chip res 0W06	120R J	0402
R550	1430778	Top	J	9	chip res 0W06	10K J	0402
R601	1430758	Top	G	7	chip res 0W06	1K5 J	0402
R602	1430790	Top	G	7	chip res 0W06	27K J	0402
R604	1430772	Top	G	8	chip res 0W06	5K6 J	0402
R605	1430770	Top	H	7	chip res 0W06	4K7 J	0402
R606	1430770	Top	H	6	chip res 0W06	4K7 J	0402
R607	1430762	Top	H	7	chip res 0W06	2K2 J	0402
R609	1430758	Top	H	6	chip res 0W06	1K5 J	0402
R611	1430804	Top	G	7	chip res 0W06	100K J	0402
R613	1430690	Top	H	6	chip res jumper 0R0		0402
R621	1430774	Top	G	7	chip res 0W06	6K8 J	0402
R630	1430690	Top	G	7	chip res jumper 0R0		0402
R702	1430754	Top	L	2	chip res 0W06	1K0 J	0402
R703	1430744	Top	M	2	chip res 0W06	470R J	0402
R704	1430770	Top	K	2	chip res 0W06	4K7 J	0402
R705	1430790	Top	M	2	chip res 0W06	27K J	0402
R706	1430776	Top	M	4	chip res 0W06	8K2 J	0402
R750	1430722	Top	I	5	chip res 0W06	68R J	0402
R751	1430690	Top	J	3	chip res jumper 0R0		0402
R764	1430796	Top	H	5	chip res 0W06	47K J	0402
R765	1430796	Top	I	4	chip res 0W06	47K J	0402
R801	1430738	Top	D	7	chip res 0W06	270R J	0402
R805	1430738	Top	E	7	chip res 0W06	270R J	0402
R808	1820035	Top	D	6	NTC res 47K J	B=4050+-3%	0805
R905	1820039	Top	Q	6	NTC res 0W1 47K J	B=4050+-3%	0402

Item	Code	Side	X	Y	Description	Value	Type
C101	2320139	Bottom	R	8	chip cap X5R 1U0 K	10V	0603
C102	2320481	Bottom	R	8	chip cap X5R 1U K	6V3	0603
C103	2320544	Top	T	6	chip cap NPO 22P J	50V	0402
C104	2320544	Top	T	5	chip cap NPO 22P J	50V	0402
C105	2320544	Top	T	5	chip cap NPO 22P J	50V	0402
C106	2320744	Top	T	7	chip cap X7R 1N0 K	50V	0402
C108	2320552	Top	F	3	chip cap NPO 47P J	50V	0402
C109	2320552	Top	F	4	chip cap NPO 47P J	50V	0402
C113	2320778	Bottom	Q	8	chip cap X7R 10N K	16V	0402
C151	2320552	Bottom	S	4	chip cap NPO 47P J	50V	0402
C153	2320552	Bottom	Q	4	chip cap NPO 47P J	50V	0402
C154	2320805	Bottom	R	4	chip cap X5R 100N K	10V	0402
C155	2320805	Bottom	R	4	chip cap X5R 100N K	10V	0402
C156	2320552	Bottom	Q	4	chip cap NPO 47P J	50V	0402
C157	2320805	Bottom	Q	4	chip cap X5R 100N K	10V	0402
C158	2320552	Bottom	Q	4	chip cap NPO 47P J	50V	0402
C159	2320552	Bottom	R	3	chip cap NPO 47P J	50V	0402
C160	2320552	Bottom	Q	4	chip cap NPO 47P J	50V	0402
C161	2320552	Bottom	Q	3	chip cap NPO 47P J	50V	0402
C162	2320552	Bottom	Q	3	chip cap NPO 47P J	50V	0402
C165	2320805	Bottom	R	3	chip cap X5R 100N K	10V	0402
C166	2320805	Bottom	Q	5	chip cap X5R 100N K	10V	0402
C168	2320805	Bottom	R	3	chip cap X5R 100N K	10V	0402
C169	2320805	Bottom	R	3	chip cap X5R 100N K	10V	0402
C173	2320552	Bottom	T	4	chip cap NPO 47P J	50V	0402
C174	2320805	Bottom	R	4	chip cap X5R 100N K	10V	0402
C175	2320805	Bottom	R	4	chip cap X5R 100N K	10V	0402
C186	2310037	Bottom	R	3	chip cap X5R 10U M	6V3	0805
C187	2320552	Top	D	2	chip cap NPO 47P J	50V	0402
C188	2320552	Top	D	3	chip cap NPO 47P J	50V	0402
C189	2320552	Top	F	3	chip cap NPO 47P J	50V	0402
C195	2320805	Bottom	Q	4	chip cap X5R 100N K	10V	0402

Item	Code	Side	X	Y	Description	Value	Type
C202	2320778	Bottom	N	3	chip cap X7R 10N K	16V	0402
C203	2320805	Bottom	P	3	chip cap X5R 100N K	10V	0402
C211	2320481	Bottom	Q	3	chip cap X5R 1U K	6V3	0603
C222	2320805	Bottom	O	6	chip cap X5R 100N K	10V	0402
C223	2310037	Bottom	N	2	chip cap X5R 10U M	6V3	0805
C224	2320143	Bottom	O	3	chip cap X5R 220N K	6.3V	0402
C225	2320805	Bottom	O	6	chip cap X5R 100N K	10V	0402
C226	2320481	Bottom	Q	3	chip cap X5R 1U K	6V3	0603
C227	2320778	Bottom	Q	6	chip cap X7R 10N K	16V	0402
C229	2320805	Bottom	O	6	chip cap X5R 100N K	10V	0402
C231	2320778	Bottom	Q	5	chip cap X7R 10N K	16V	0402
C233	2320481	Bottom	R	4	chip cap X5R 1U K	6V3	0603
C234	2320481	Bottom	O	3	chip cap X5R 1U K	6V3	0603
C235	2320481	Bottom	P	2	chip cap X5R 1U K	6V3	0603
C237	2320481	Bottom	N	3	chip cap X5R 1U K	6V3	0603
C238	2320805	Bottom	P	6	chip cap X5R 100N K	10V	0402
C239	2320481	Bottom	P	6	chip cap X5R 1U K	6V3	0603
C240	2320107	Top	G	3	chip cap X7R 10N J	50V	0603
C241	2320481	Bottom	O	3	chip cap X5R 1U K	6V3	0603
C242	2320481	Bottom	Q	6	chip cap X5R 1U K	6V3	0603
C243	2320481	Bottom	Q	5	chip cap X5R 1U K	6V3	0603
C244	2320481	Bottom	P	6	chip cap X5R 1U K	6V3	0603
C245	2320481	Bottom	M	3	chip cap X5R 1U K	6V3	0603
C246	2320481	Bottom	N	4	chip cap X5R 1U K	6V3	0603
C247	2320481	Bottom	N	4	chip cap X5R 1U K	6V3	0603
C248	2320481	Bottom	N	5	chip cap X5R 1U K	6V3	0603
C249	2320481	Bottom	N	5	chip cap X5R 1U K	6V3	0603
C250	2320481	Bottom	N	5	chip cap X5R 1U K	6V3	0603
C251	2320481	Bottom	N	5	chip cap X5R 1U K	6V3	0603
C252	2320481	Bottom	N	4	chip cap X5R 1U K	6V3	0603
C253	2320481	Bottom	N	4	chip cap X5R 1U K	6V3	0603
C254	2320481	Bottom	N	4	chip cap X5R 1U K	6V3	0603

Item	Code	Side	X	Y	Description	Value	Type
C255	2320481	Bottom	N	4	chip cap X5R 1U K	6V3	0603
C256	2320481	Bottom	N	5	chip cap X5R 1U K	6V3	0603
C257	2320481	Bottom	N	4	chip cap X5R 1U K	6V3	0603
C258	2320481	Bottom	N	3	chip cap X5R 1U K	6V3	0603
C259	2320481	Bottom	N	4	chip cap X5R 1U K	6V3	0603
C264	2320481	Bottom	P	3	chip cap X5R 1U K	6V3	0603
C301	2320778	Top	S	7	chip cap X7R 10N K	16V	0402
C302	2320125	Bottom	C	7	chip cap X5R 1U K	16V	0603
C303	2320805	Bottom	C	7	chip cap X5R 100N K	10V	0402
C304	2320805	Bottom	C	7	chip cap X5R 100N K	10V	0402
C311	2320125	Bottom	N	5	chip cap X5R 1U K	16V	0603
C312	2320125	Bottom	N	6	chip cap X5R 1U K	16V	0603
C313	2320125	Bottom	N	5	chip cap X5R 1U K	16V	0603
C314	2320125	Bottom	N	6	chip cap X5R 1U K	16V	0603
C390	2320805	Top	R	6	chip cap X5R 100N K	10V	0402
C400	2320805	Bottom	T	6	chip cap X5R 100N K	10V	0402
C401	2320805	Bottom	T	6	chip cap X5R 100N K	10V	0402
C402	2320805	Bottom	S	5	chip cap X5R 100N K	10V	0402
C403	2320805	Bottom	R	7	chip cap X5R 100N K	10V	0402
C404	2320805	Bottom	Q	6	chip cap X5R 100N K	10V	0402
C405	2320805	Bottom	R	5	chip cap X5R 100N K	10V	0402
C422	2320778	Bottom	Q	8	chip cap X7R 10N K	16V	0402
C423	2320744	Bottom	Q	7	chip cap X7R 1N0 K	50V	0402
C424	2320778	Bottom	Q	7	chip cap X7R 10N K	16V	0402
C425	2320744	Bottom	Q	7	chip cap X7R 1N0 K	50V	0402
C426	2320778	Bottom	Q	7	chip cap X7R 10N K	16V	0402
C427	2320744	Bottom	Q	6	chip cap X7R 1N0 K	50V	0402
C428	2320778	Bottom	S	5	chip cap X7R 10N K	16V	0402
C429	2320783	Bottom	Q	6	chip cap X7R 33N K	10V	0402
C430	2320783	Bottom	Q	7	chip cap X7R 33N K	10V	0402
C431	2320783	Bottom	Q	7	chip cap X7R 33N K	10V	0402
C435	2320778	Bottom	S	5	chip cap X7R 10N K	16V	0402

Item	Code	Side	X	Y	Description	Value	Type
C450	2320778	Bottom	P	6	chip cap X7R 10N K	16V	0402
C451	2320805	Bottom	O	8	chip cap X5R 100N K	10V	0402
C454	2320779	Bottom	N	6	chip cap X7R 100N K	16V	0603
C501	2320552	Top	J	9	chip cap NPO 47P J	50V	0402
C502	2320576	Top	K	6	chip cap X7R 470P J	50V	0402
C503	2320783	Top	L	7	chip cap X7R 33N K	10V	0402
C504	2320620	Top	L	9	chip cap X7R 10N J	16V	0402
C505	2320620	Top	L	7	chip cap X7R 10N J	16V	0402
C506	2320538	Top	J	7	chip cap NPO 12P J	50V	0402
C507	2320620	Top	L	9	chip cap X7R 10N J	16V	0402
C508	2420019	Top	K	9	chip cap PPS 68N J	16V	1210
C509	2320584	Top	K	9	chip cap X7R 1N0 J	50V	0402
C511	2312255	Top	I	9	chip cap X5R 10U K	10V	1206
C512	2320576	Top	K	6	chip cap X7R 470P J	50V	0402
C513	2320576	Top	K	7	chip cap X7R 470P J	50V	0402
C514	2320550	Top	J	6	chip cap NPO 39P J	50V	0402
C515	2320552	Top	K	8	chip cap NPO 47P J	50V	0402
C516	2320548	Top	K	8	chip cap NPO 33P J	50V	0402
C517	2320576	Top	K	8	chip cap X7R 470P J	50V	0402
C518	2320618	Top	K	8	chip cap X7R 4N7 J	25V	0402
C519	2320903	Top	G	8	chip cap NPO HQ 2P7 J	16V	0402
C520	2320481	Top	L	7	chip cap X5R 1U K	6V3	0603
C521	2320805	Top	L	9	chip cap X5R 100N K	10V	0402
C522	2320620	Top	L	9	chip cap X7R 10N J	16V	0402
C523	2320584	Top	L	6	chip cap X7R 1N0 J	50V	0402
C524	2320576	Top	L	6	chip cap X7R 470P J	50V	0402
C525	2320584	Top	K	6	chip cap X7R 1N0 J	50V	0402
C550	2320584	Top	J	9	chip cap X7R 1N0 J	50V	0402
C602	2320633	Top	G	7	chip cap NPO 220P J	25V	0402
C603	2320552	Top	G	7	chip cap NPO 47P J	50V	0402
C605	2320560	Top	H	8	chip cap NPO 100P J	50V	0402
C606	2320744	Top	G	7	chip cap X7R 1N0 K	50V	0402

Item	Code	Side	X	Y	Description	Value	Type
C607	2320620	Top	G	7	chip cap X7R 10N J	16V	0402
C610	2320552	Top	F	9	chip cap NP0 47P J	50V	0402
C612	2321007	Top	H	7	cercap X7R 22N K	16V	0402
C613	2360001	Top	H	7	chip cap X5R 330N K	10V	0603
C614	2320552	Top	G	8	chip cap NP0 47P J	50V	0402
C615	2320744	Top	G	8	chip cap X7R 1N0 K	50V	0402
C618	2320481	Top	G	6	chip cap X5R 1U K	6V3	0603
C619	2320552	Top	G	9	chip cap NP0 47P J	50V	0402
C629	2320532	Top	H	6	chip cap NP0 6P8 C	50V	0402
C630	2320007	Top	H	6	chip cap X5R 10U K	10V	0402
C631	2320524	Top	H	6	chip cap NP0 3P3 C	50V	0402
C632	2320744	Top	H	7	chip cap X7R 1N0 K	50V	0402
C633	2320552	Top	H	8	chip cap NP0 47P J	50V	0402
C637	2320560	Top	H	7	chip cap NP0 100P J	50V	0402
C638	2320620	Top	H	7	chip cap X7R 10N J	16V	0402
C639	2320596	Top	H	9	chip cap X7R 3N3 J	50V	0402
C640	2320516	Top	H	8	chip cap NP0 1P5 C	50V	0402
C642	2320516	Top	H	8	chip cap NP0 1P5 C	50V	0402
C648	2320744	Top	H	9	chip cap X7R 1N0 K	50V	0402
C649	2320552	Top	H	9	chip cap NP0 47P J	50V	0402
C652	2320481	Top	H	8	chip cap X5R 1U K	6V3	0603
C666	2320552	Top	G	8	chip cap NP0 47P J	50V	0402
C701	2320783	Top	L	2	chip cap X7R 33N K	10V	0402
C702	2320584	Top	L	2	chip cap X7R 1N0 J	50V	0402
C704	2320778	Top	M	4	chip cap X7R 10N K	16V	0402
C706	2320778	Top	L	2	chip cap X7R 10N K	16V	0402
C707	2320778	Top	M	3	chip cap X7R 10N K	16V	0402
C708	2320778	Top	K	2	chip cap X7R 10N K	16V	0402
C710	2320778	Top	M	3	chip cap X7R 10N K	16V	0402
C712	2320778	Top	K	3	chip cap X7R 10N K	16V	0402
C714	2360001	Top	L	2	chip cap X5R 330N K	10V	0603
C715	2320620	Top	K	2	chip cap X7R 10N J	16V	0402

Item	Code	Side	X	Y	Description	Value	Type
C716	2320548	Top	K	2	chip cap NPO 33P J	50V	0402
C718	2320778	Top	K	2	chip cap X7R 10N K	16V	0402
C722	2320778	Top	M	4	chip cap X7R 10N K	16V	0402
C723	2320778	Top	K	3	chip cap X7R 10N K	16V	0402
C750	2320560	Top	I	4	chip cap NPO 100P J	50V	0402
C753	2320560	Top	H	5	chip cap NPO 100P J	50V	0402
C755	2320516	Top	H	3	chip cap NPO 1P5 C	50V	0402
C757	2320554	Top	H	3	chip cap NPO 56P J	50V	0402
C758	2320785	Top	H	3	chip cap X7R 47N K	10V	0402
C759	2320602	Top	I	3	chip cap NPO 4P7 C	50V	0402
C760	2320538	Top	I	5	chip cap NPO 12P J	50V	0402
C761	2320596	Top	J	4	chip cap X7R 3N3 J	50V	0402
C766	2320560	Top	I	3	chip cap NPO 100P J	50V	0402
C767	2320554	Top	J	4	chip cap NPO 56P J	50V	0402
C769	2320744	Top	I	5	chip cap X7R 1N0 K	50V	0402
C770	2320518	Top	L	4	chip cap NPO 1P8 C	50V	0402
C771	2320544	Top	L	4	chip cap NPO 22P J	50V	0402
C772	2320544	Top	L	4	chip cap NPO 22P J	50V	0402
C777	2320536	Top	J	3	chip cap NPO 10P J	50V	0402
C778	2320532	Top	K	3	chip cap NPO 6P8 C	50V	0402
C779	2320532	Top	K	3	chip cap NPO 6P8 C	50V	0402
C780	2320530	Top	I	5	chip cap NPO 5P6 C	50V	0402
C781	2320526	Top	I	2	chip cap NPO 3P9 C	50V	0402
C782	2320526	Top	J	4	chip cap NPO 3P9 C	50V	0402
C783	2320602	Top	J	3	chip cap NPO 4P7 C	50V	0402
C784	2320584	Top	I	3	chip cap X7R 1N0 J	50V	0402
C786	2320805	Top	J	4	chip cap X5R 100N K	10V	0402
C807	2320778	Top	E	7	chip cap X7R 10N K	16V	0402
C810	2320584	Top	D	7	chip cap X7R 1N0 J	50V	0402
C811	2320552	Top	D	9	chip cap NPO 47P J	50V	0402
C813	2320552	Top	D	8	chip cap NPO 47P J	50V	0402
C817	2312255	Top	D	7	chip cap X5R 10U K	10V	1206

Item	Code	Side	X	Y	Description	Value	Type
C907	2320552	Top	H	9	chip cap NPO 47P J	50V	0402
L100	3203743	Top	T	7	ferrite bead 0R03	42R/100MHz	3A 0805
L103	3203801	Top	T	5	chip bead array	2X1000R	0405
L104	3203801	Top	T	4	chip bead array	2X1000R	0405
L106	3203725	Top	T	6	ferrite bead	600R/100MHz	0402
L501	3645245	Top	J	6	chip coil 6N8 J	Q27/250MHz	0603
L516	3646053	Top	K	8	chip coil 4N7 +-0N3	Q28/800M	0402
L520	3646043	Top	I	7	chip coil 1N5 +-0N3	Q33/800M	0402
L603	3646121	Top	H	8	chip coil 10N G	Q25/1GHz	0402
L604	3646121	Top	H	8	chip coil 10N G	Q25/1GHz	0402
L611	3645219	Top	H	6	chip coil 10N J	Q31/250MHz	0603
L701	3645223	Top	K	2	chip coil 33N J	Q40/250MHz	0603
L750	3646415	Top	H	4	chip coil 19N J	Q24/250MHz	0402
L752	3646019	Top	H	4	chip coil 15N J	Q7/100MHz	0402
L753	3645013	Top	I	3	chip coil 220NH K	Q15/25MHz	0603
L754	3645195	Top	I	4	chip coil 82N J	Q12/100MHz	0603
L755	3646019	Top	I	5	chip coil 15N J	Q7/100MHz	0402
L757	3646019	Top	H	4	chip coil 15N J	Q7/100MHz	0402
L759	3645243	Top	L	5	chip coil 47N J	Q38/200MHz	0603
L760	3645229	Top	L	4	chip coil 120N J	Q32/150MHz	0603
L761	3645229	Top	K	4	chip coil 120N J	Q32/150MHz	0603
L762	3645195	Top	I	4	chip coil 82N J	Q12/100MHz	0603
L764	3645301	Top	I	3	chip coil 180N J	Q13/100MHz	0603
L765	3645229	Top	J	3	chip coil 120N J	Q32/150MHz	0603
L766	3645229	Top	J	4	chip coil 120N J	Q32/150MHz	0603
L767	3645319	Top	K	4	chip coil 220N J	Q25/100MHz	0603
L768	3645319	Top	K	3	chip coil 220N J	Q25/100MHz	0603
L770	3645195	Top	I	3	chip coil 82N J	Q12/100MHz	0603
L771	3646011	Top	I	5	chip coil 4N7 +-0N3	Q7/100M	0402
L801	3645191	Top	E	7	chip coil 8N2 J	Q10/100MHz	0603
L805	3646421	Top	S	3	chip coil 1N0 K	Q16/250MHz	0402
L806	3646081	Bottom	C	3	chip coil 68N J	Q17/300MHz	0402

Item	Code	Side	X	Y	Description	Value	Type
V100	4113721	Top	T	6	TVS DI 1PMT16AT3	16V 175W	PWRMITE
V101	4120011	Top	T	5	ZDIX4 IP4043CX5 CA	14V2 10W	CSP5
V201	4120011	Top	P	6	ZDIX4 IP4043CX5 CA	14V2 10W	CSP5
V300	4860339	Bottom	N	3	LED LWL88S		
V301	4860339	Bottom	N	8	LED LWL88S		
V302	4860339	Bottom	Q	9	LED LWL88S		
V303	4860339	Bottom	Q	2	LED LWL88S		
V304	4860317	Bottom	L	3	LED LWY87C White	140MCD@ 20MA	120'
V305	4860317	Bottom	L	6	LED LWY87C White	140MCD@ 20MA	120'
V306	4860317	Bottom	L	8	LED LWY87C White	140MCD@ 20MA	120'
V308	4219937	Bottom	Q	9	TRX2 UMT1/PUMT1	P40V100MA	SOT363
V309	4219937	Bottom	N	7	TRX2 UMT1/PUMT1	P40V100MA	SOT363
V310	4219937	Bottom	N	6	TRX2 UMT1/PUMT1	P40V100MA	SOT363
V386	4120071	Top	Q	6	ASIP EMIF03-SIM01	Sim Filter	BGA8
V420	4219921	Bottom	Q	6	TR DTC143ZE N	RBE4K7/47K	0A1 SC75
V421	4219921	Bottom	Q	7	TR DTC143ZE N	RBE4K7/47K	0A1 SC75
V422	4219921	Bottom	Q	7	TR DTC143ZE N	RBE4K7/47K	0A1 SC75
V500	4210100	Top	L	6	TR BC848W N	30V 0.1A 100MHz	SOT323
V601	4110921	Top	H	6	CAP DI BBY57-02W	1/4 16/4P	SOD523
V602	4112491	Top	G	6	PIN DI BA892 0A1	0R7@1MA	SCD-80
V701	4110921	Top	K	2	CAP DI BBY57-02W	1/4 16/4P	SOD523
Z300	4120031	Bottom	S	8	EMI/ESD filt EMIF10-	1K010F1	BGA24
Z604	4511275	Top	G	9	Saw Filt 836.5+- 12.5MHz/	3.5DB	3X3
Z751	4511309	Top	H	3	Saw Filt 881.5+- 12.5MHz/	3DB	2.5X2
Z752	4510359	Top	J	2	XTAL filt 128.1MHz+-	15KHz	3.8X3.8
Z753	4511329	Top	K	4	Saw Filt 128.1+-	0.61MHz	9X5X1.6
Z802	4510381	Top	E	6	Isolator 836+-12.5	13DB	5X5X2.0
Z803	4512175	Top	D	5	Dupl 824-849/869-894	MHz	5.2X5.2
N100	4341269	Bottom	Q	8	VREG 2.8V/150MA	(LP3985)	USMD5

Item	Code	Side	X	Y	Description	Value	Type
N502	4341295	Top	J	6	RF AMP G5.5DB/2.1GHz	(ULOBA)	SC70-6
N507	4341395	Top	L	8	1XPLL/SYNTH 2.5GHz	(LMX2310U)	MLF20
N601	4370857	Top	G	7	RobinD SSBUP- Converter	CDMA	TFBGA
N603	4370885	Top	G	9	Tomcat RF2356E4	CDMA 2000	SOT23-8
N701	4370851	Top	L	3	BatmanD RFIC RCVR	CDMA	UFBGA84
N750	4370863	Top	I	4	Alfred LNA/Mixer/	VQFN-24	
N801	4350343	Top	E	8	PW Amp RF9209E6.7	CDMA800	
N806	4120091	Top	E	7	ASIP STPAC01-F1	CDMA PWR DET	BGA8
D200	4370825	Bottom	P	4	UEMK W-DOG ENA	T021	TFBGA168
D300	4341397	Bottom	N	6	White LED Driver	(LM2795BLX)	USMD14
D400	4370873	Bottom	S	6	UPP8M V2.2 F751986B	C035	UBGA144
D450	4341381	Bottom	O	7	Flash 4MX16	1V8/1V8	VFPGA44
G501	4510347	Top	K	7	VCTCXO 19.2MHz+-	1.5PPM	2.7V
G502	4350329	Top	J	8	VCO 986-1034/2040-	2140MHz	2.7V
B200	4510219	Bottom	P	3	Crystal 32.768KHz+-	30PPM	9PF
B302	5140159	Top	Q	8	Buzzer 95 DB 2670Hz	4.0V	10X12X2
T604	4550209	Top	H	9	Transf Balun 824-894	MHz	SMD
F100	5119019	Top	T	7	Sm Fuse F	1.5A 32V	0603
S300	5209001	Top	B	8	Sm SW Tact SPST	12V 50MA	Side Key
X101	5409255	Top	F	4	Sm Lynx Batt Conn	3POL 12V 2A	H7
X104	5460061	Top	U	5	Sm System Connector	14POL	
X302	5469081	Bottom	R	8	Sm Conn 2X7M P0.5	SPR.50V	PCB/PCB
X386	5400313	Top	Q	4	Sm SIM Connector	6POL	P2.54
X812	5409293	Top	R	2	Antenna Ground Clip	SMD	DMD10149
X814	5429021	Bottom	B	3	Sm Conn RF+SW	100V 1W 50R	2.2GHz
A600	9517260	Top	I	8	Shield Assy TX	DMC05962	RH-17
A700	9517262	Top	J	3	Shield Assy RX	DMC05961	RH-17
A800	9517261	Top	E	6	Duplx Shield Assy	DMC05963	RH-17